



650W LED GROW LIGHTING

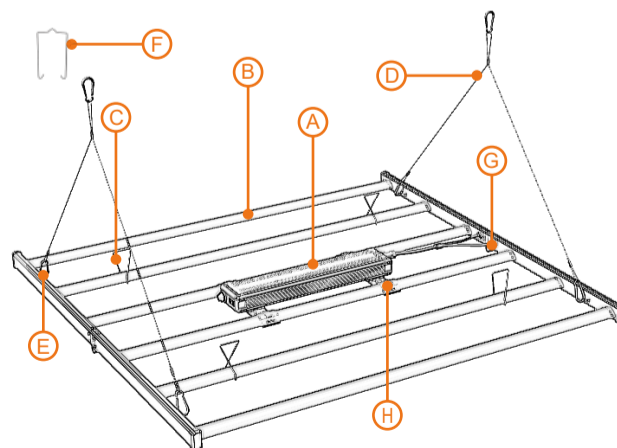
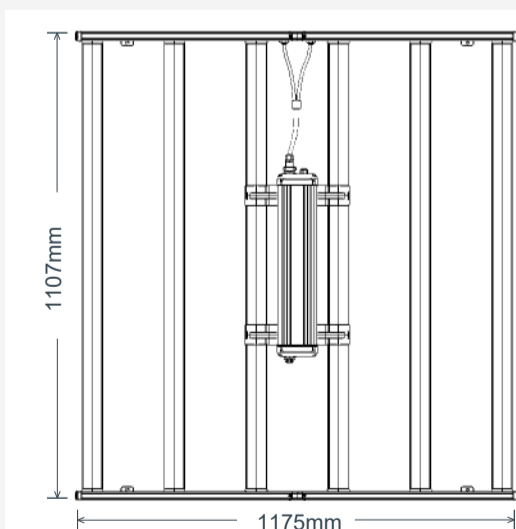
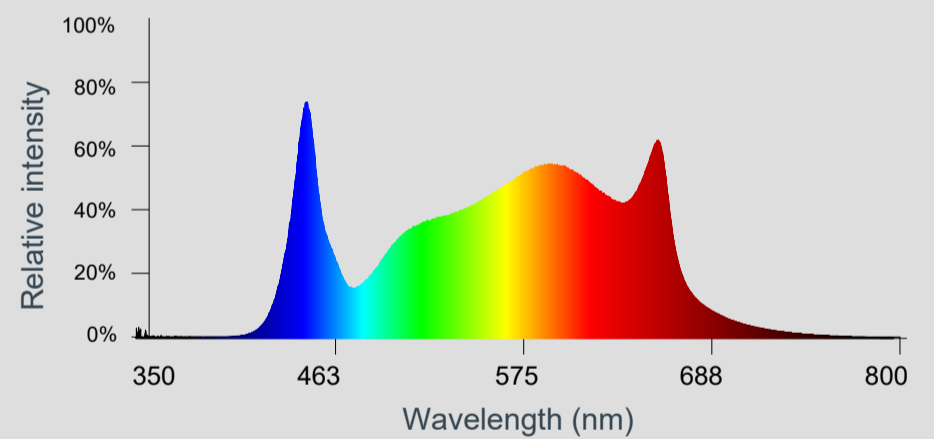
6 bars

TECHNICAL SPECIFICATIONS:

| | |
|----------------------------|--|
| Model No. | LED 650W/ 6 bars |
| Light Source | Samsung / OSRAM |
| Spectrum | Full spectrum |
| PPF | 1690 $\mu\text{mol/s}$ |
| Efficacy | 2.6 $\mu\text{mol/J}$ |
| Input Voltage | 120V 208V 220V 240V 277V |
| Input Current | 5.41A 3.12A 2.95A 2.7A 2.34A |
| Frequency | 50/60 Hz |
| Input Power | 650W |
| Fixture Dimensions (L*W*H) | 117.5cm×110.7cm×7.7cm |
| Weight | 10.76 kg |
| Temperature Ambient | 95°F/35°C |
| Mounting Height | ≥6" Above Canopy |
| Thermal Management | Passive |
| External Control Signal | 0-10V |
| Dimming Option | 40% / 50% / 60% / 80% / 100% / EXT OFF |
| Light Distribution | 120° |
| Lifetime | L90:>54,000hrs |
| Power Factor | ≥0.97 |
| Waterproof Rate | IP66 |
| Warranty | 5-year warranty |
| Certification | ETL, CE |



SPECTRUM:



- (A) LED drivers
- (B) LED bars
- (C) Solid Decking Mount
- (D) Lance Hanger
- (E) Ring Screw
- (F) Waterfall Mount
- (G) Input Power Cord
- (H) Power Support



Powered by **OSRAM** **SAMSUNG**

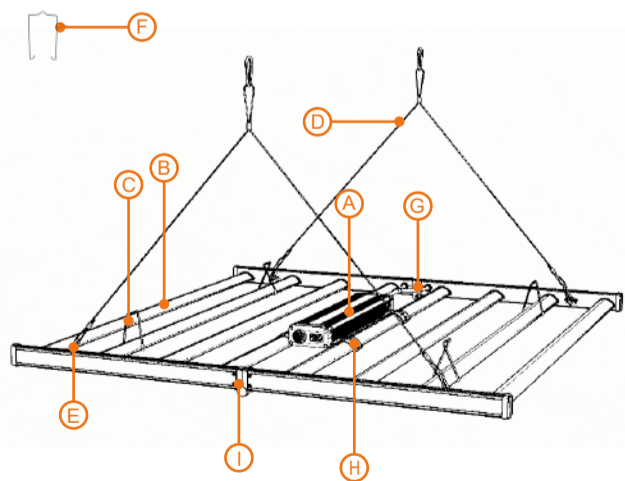
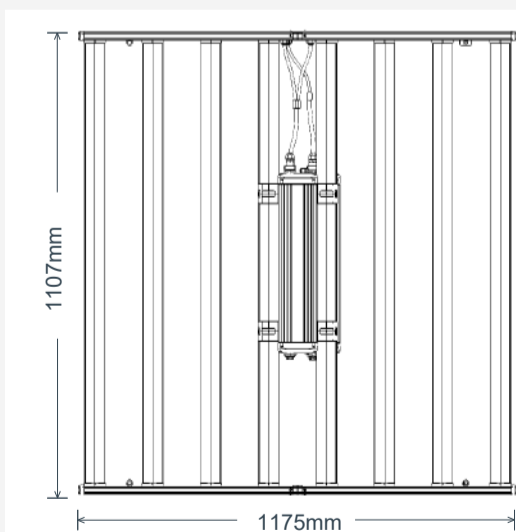
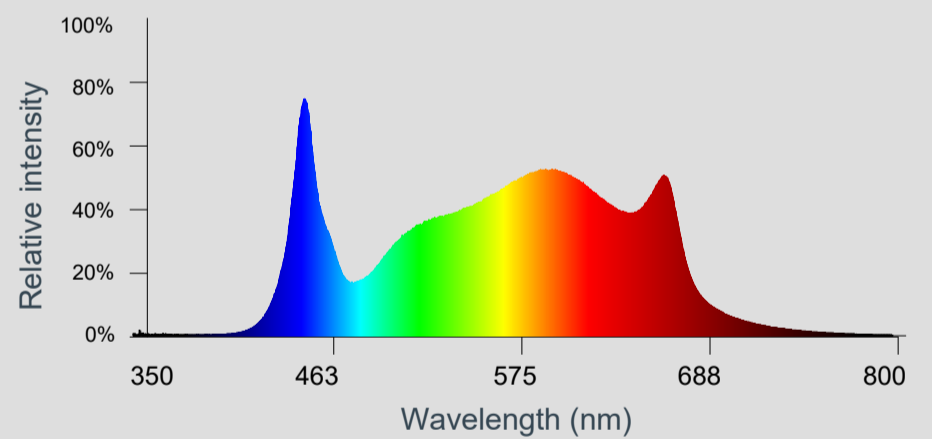


TECHNICAL SPECIFICATIONS:

| | |
|----------------------------|--|
| Model No. | LED 770W/ 8 bars |
| Light Source | Samsung / OSRAM |
| Spectrum | Full spectrum |
| PPF | 2017 $\mu\text{mol/s}$ |
| Efficacy | 2.62 $\mu\text{mol/J}$ |
| Input Voltage | 110V 120V 208V 240V 277V |
| Input Current | 7A 6.42A 3.7A 3.2A 2.7A |
| Frequency | 50/60 Hz |
| Input Power | 770W |
| Fixture Dimensions (L*W*H) | 117.5cm×110.7cm×7.7cm |
| Weight | 11.9 kg |
| Temperature Ambient | 95°F/35°C |
| Mounting Height | ≥6" Above Canopy |
| Thermal Management | Passive |
| External Control Signal | 0-10V |
| Dimming Option | 40% / 50% / 60% / 80% / 100% / EXT OFF |
| Light Distribution | 120° |
| Lifetime | L90:>54,000hrs |
| Power Factor | ≥0.97 |
| Waterproof Rate | IP66 |
| Warranty | 5-year warranty |
| Certification | ETL, CE |



SPECTRUM:



- Ⓐ LED drivers
- Ⓑ LED bars
- Ⓒ Solid Decking Mount
- Ⓓ Lance Hanger
- Ⓔ Ring Screw
- Ⓕ Waterfall Mount
- Ⓖ Input Power Cord
- Ⓗ Power Support



Powered by

OSRAM





720W LED GROW LIGHTING

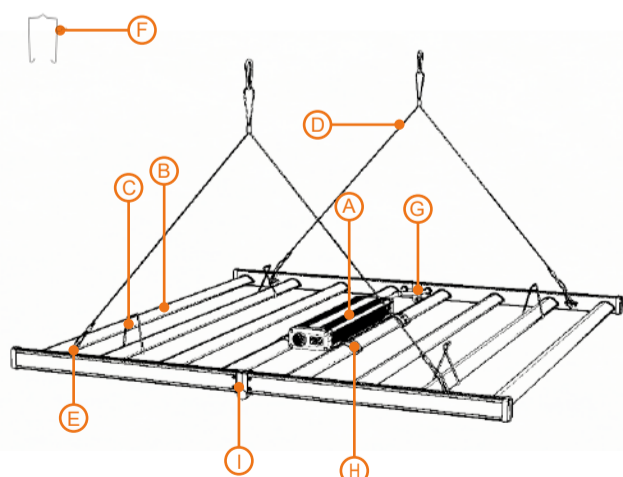
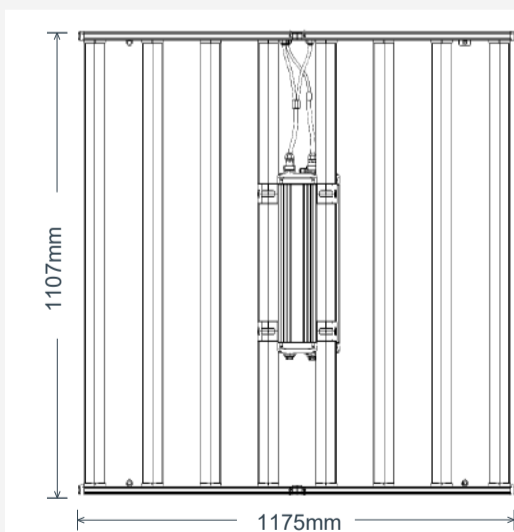
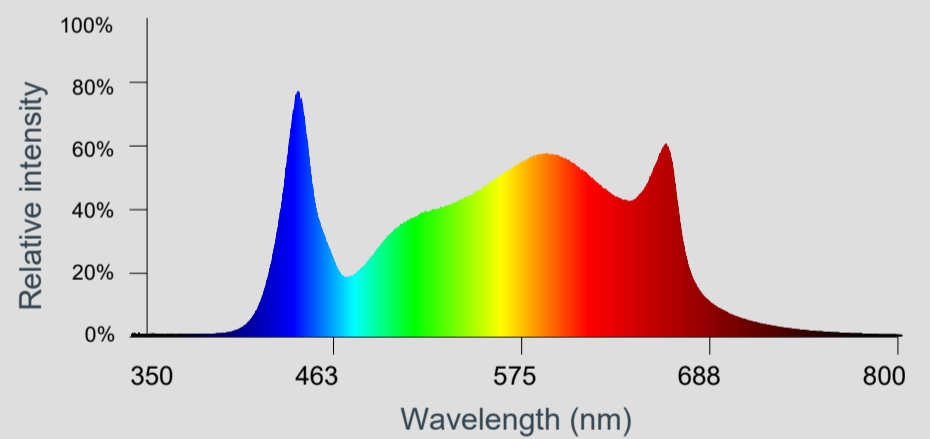
8 bars

TECHNICAL SPECIFICATIONS:

| | |
|----------------------------|--|
| Model No. | LED 720W/ 8 bars |
| Light Source | Samsung / OSRAM |
| Spectrum | Full spectrum |
| PPF | 1908 $\mu\text{mol/s}$ |
| Efficacy | 2.65 $\mu\text{mol/J}$ |
| Input Voltage | 110V 120V 208V 240V 277V |
| Input Current | 6.54A 6A 3.46A 3A 2.6A |
| Frequency | 50/60 Hz |
| Input Power | 720W |
| Fixture Dimensions (L*W*H) | 117.5cm×110.7cm×7.7cm |
| Weight | 11.9 kg |
| Temperature Ambient | 95°F/35°C |
| Mounting Height | ≥6" Above Canopy |
| Thermal Management | Passive |
| External Control Signal | 0-10V |
| Dimming Option | 40% / 50% / 60% / 80% / 100% / EXT OFF |
| Light Distribution | 120° |
| Lifetime | L90:>54,000hrs |
| Power Factor | ≥0.97 |
| Waterproof Rate | IP66 |
| Warranty | 5-year warranty |
| Certification | ETL, CE |



SPECTRUM:



- Ⓐ LED drivers
- Ⓑ LED bars
- Ⓒ Solid Decking Mount
- Ⓓ Lance Hanger
- Ⓔ Ring Screw
- Ⓕ Waterfall Mount
- Ⓖ Input Power Cord
- Ⓗ Power Support



Powered by **OSRAM** **SAMSUNG**



1000W LED GROW LIGHTING

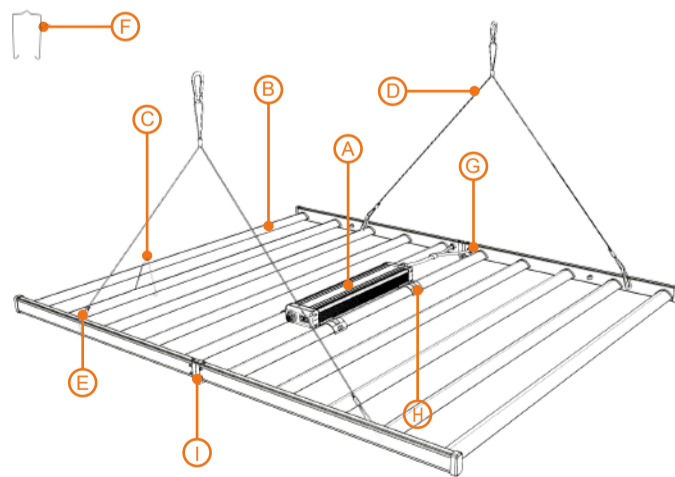
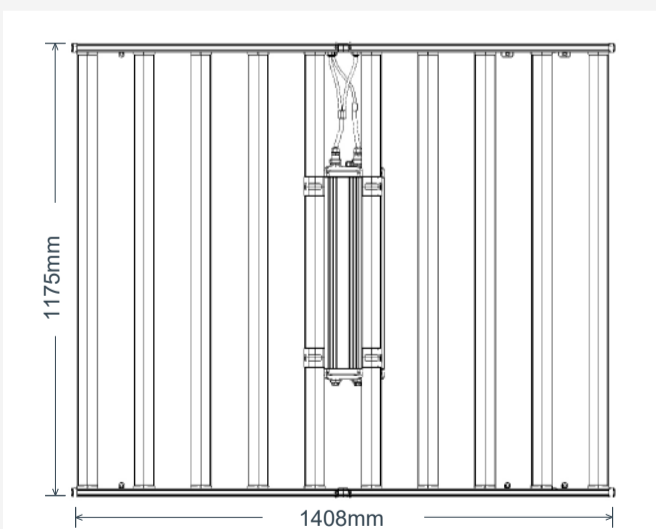
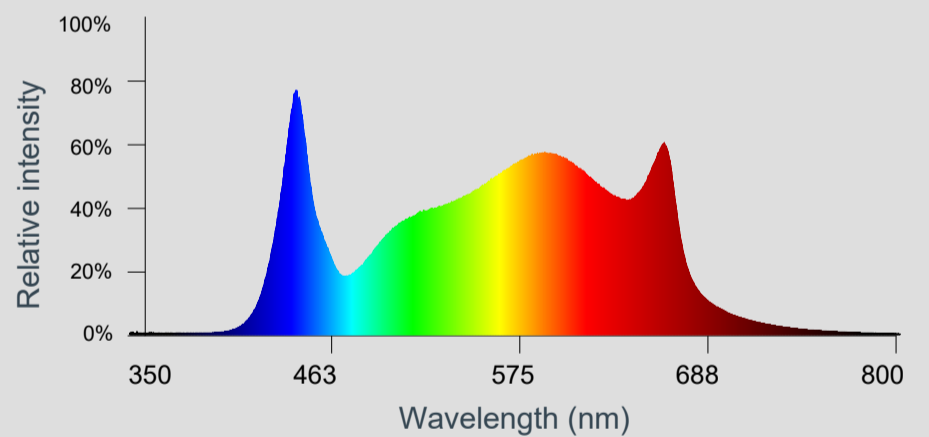
4x5FT 10 bars

TECHNICAL SPECIFICATIONS:

| | |
|----------------------------|--|
| Model No. | LED 1000W/ 10 bars |
| Light Source | Samsung / OSRAM |
| Spectrum | Full spectrum |
| PPF | 2540 μmol/s |
| Efficacy | 2.54 μmol/J |
| Input Voltage | 110V 120V 208V 240V 277V |
| Input Current | 9.1A 8.3A 4.8A 4.1A 3.6A |
| Frequency | 50/60 Hz |
| Input Power | 1000W |
| Fixture Dimensions (L*W*H) | 140.8cm×117.5cm×7.8cm |
| Weight | 17.62 kg |
| Temperature Ambient | 95°F/35°C |
| Mounting Height | ≥6" Above Canopy |
| Thermal Management | Passive |
| External Control Signal | 0-10V |
| Dimming Option | 50% / 60% / 80% / 100% / 120%super / EXT OFF |
| Light Distribution | 120° |
| Lifetime | L90:>54,000hrs |
| Power Factor | ≥0.97 |
| Waterproof Rate | IP66 |
| Warranty | 5-year warranty |
| Certification | ETL, CE |



SPECTRUM:



- Ⓐ LED drivers
- Ⓑ LED bars
- Ⓒ Solid Decking Mount
- Ⓓ Lance Hanger
- Ⓔ Ring Screw
- Ⓕ Waterfall Mount
- Ⓖ Input Power Cord
- Ⓗ Power Support
- Ⓘ Interconnect cable



Powered by



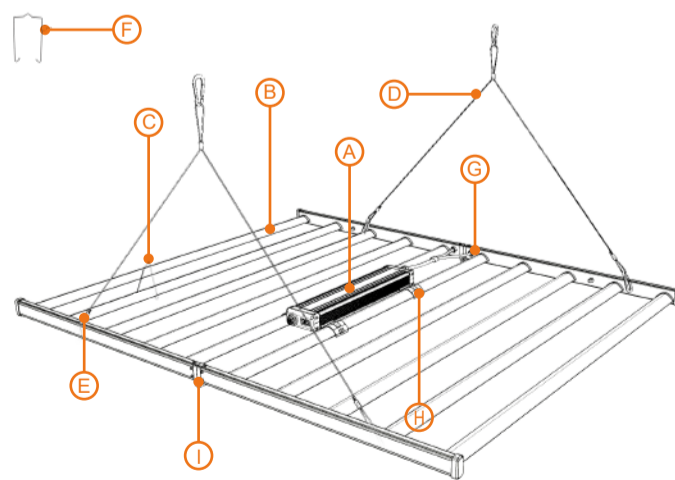
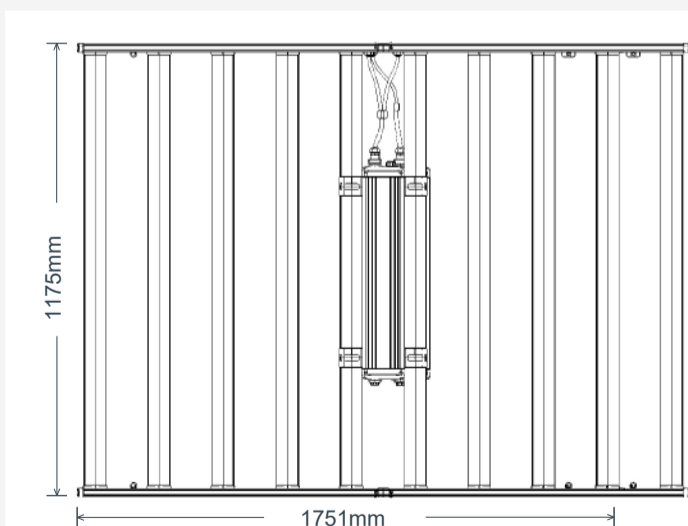
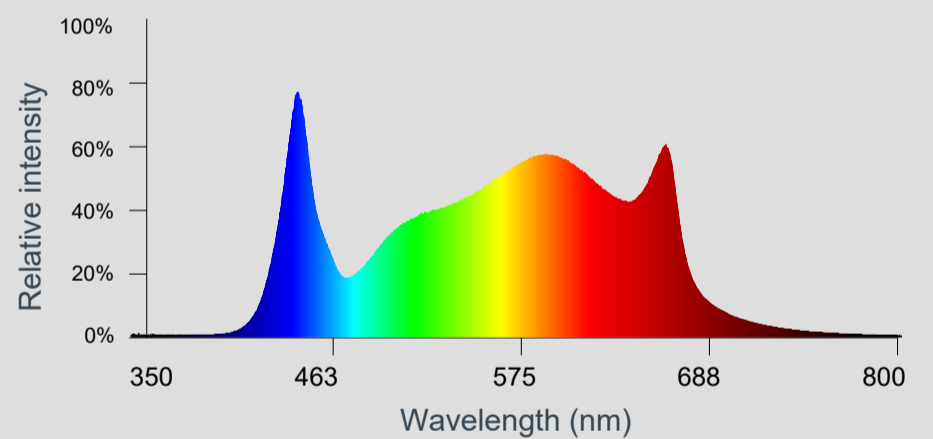


TECHNICAL SPECIFICATIONS:

| | |
|----------------------------|--|
| Model No. | LED 1000W/ 10 bars |
| Light Source | Samsung / OSRAM |
| Spectrum | Full spectrum |
| PPF | 2540 $\mu\text{mol/s}$ |
| Efficacy | 2.54 $\mu\text{mol/J}$ |
| Input Voltage | 110V 120V 208V 240V 277V |
| Input Current | 9.1A 8.3A 4.8A 4.1A 3.6A |
| Frequency | 50/60 Hz |
| Input Power | 1000W |
| Fixture Dimensions (L*W*H) | 175.1cm×117.5cm×7.8cm |
| Weight | 19.25 kg |
| Temperature Ambient | 95°F/35°C |
| Mounting Height | ≥6" Above Canopy |
| Thermal Management | Passive |
| External Control Signal | 0-10V |
| Dimming Option | 50% / 60% / 80% / 100% / 120%super / EXT OFF |
| Light Distribution | 120° |
| Lifetime | L90:>54,000hrs |
| Power Factor | ≥0.97 |
| Waterproof Rate | IP66 |
| Warranty | 5-year warranty |
| Certification | ETL, CE |



SPECTRUM:

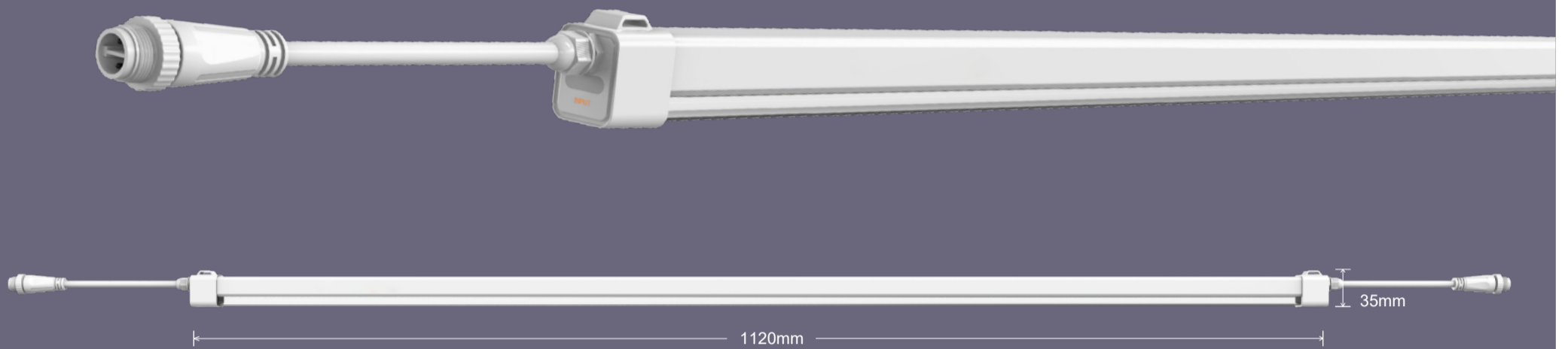


- (A) LED drivers
- (B) LED bars
- (C) Solid Decking Mount
- (D) Lance Hanger
- (E) Ring Screw
- (F) Waterfall Mount
- (G) Input Power Cord
- (H) Power Support
- (I) Interconnect cable



Powered by **OSRAM** **SAMSUNG**

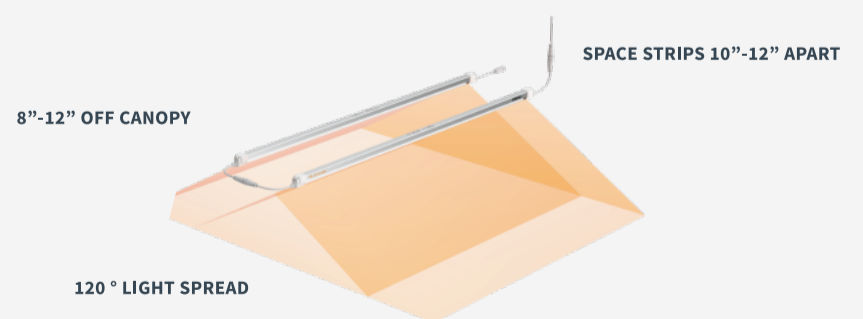
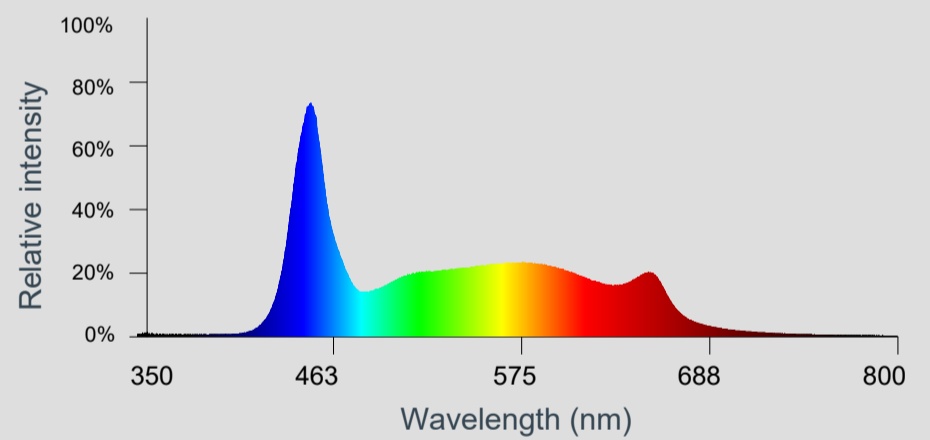
CLONE LED 18W



TECHNICAL SPECIFICATIONS:

| | |
|----------------------------|-------------------------------------|
| Model No. | LED 18W |
| Diodes | Samsung |
| Color Temperature | 9000k |
| PPF | 35 $\mu\text{mol/s}$ |
| Efficacy | 1.89 $\mu\text{mol/J}$ |
| Input Voltage | 110V 120V 208V 240V 277V |
| Input Current | 0.16A 0.15A 0.086A 0.075A 0.065A |
| Frequency | 50/60 Hz |
| Input Power | 18W |
| Fixture Dimensions (L*W*H) | 112cm \times 2.6cm \times 3.5cm |
| Weight | 0.38 kg |
| Temperature Ambient | 95°F/35°C |
| Mounting Height | \geq 6" Above Canopy |
| Thermal Management | Passive |
| Lifetime | L90:>54,000hrs |
| Power Factor | \geq 0.90 |
| Waterproof Rate | IP66 |
| Warranty | 5-year warranty |
| Certification | CE |

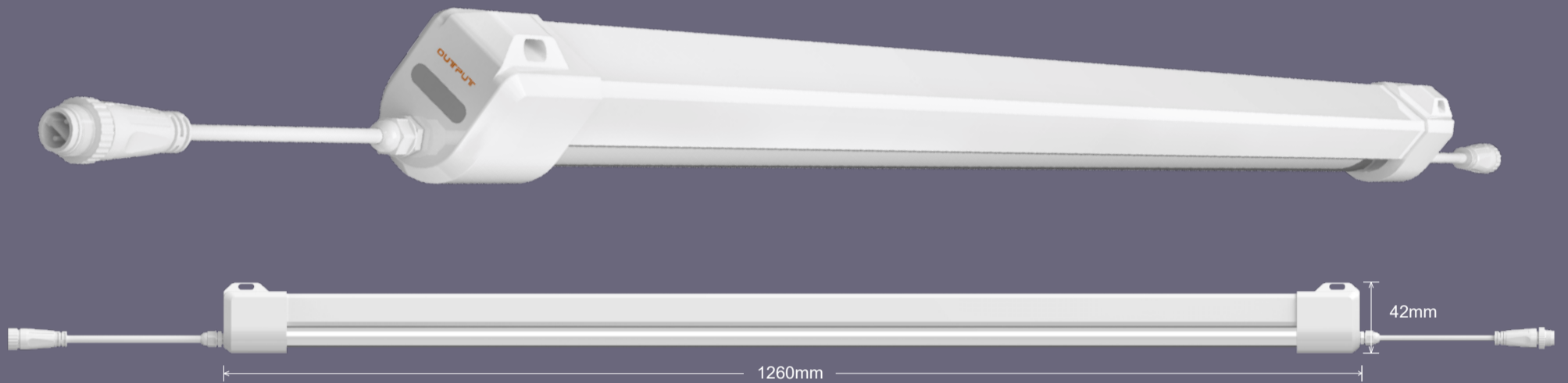
SPECTRUM:



Powered by



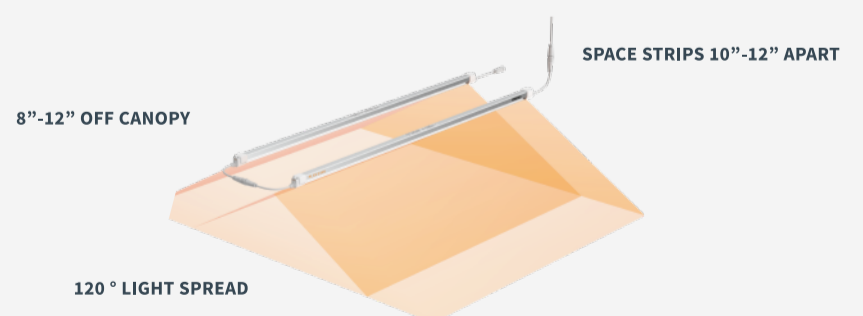
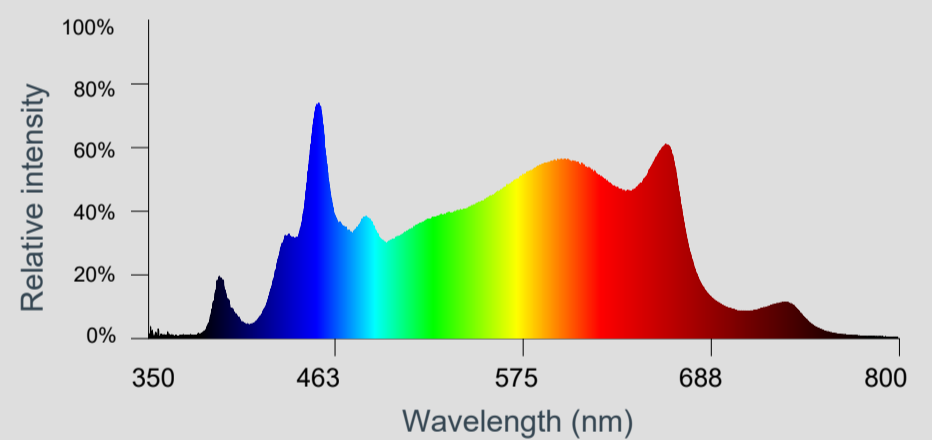
CLONE LED 36W



TECHNICAL SPECIFICATIONS:

| | |
|----------------------------|-------------------------------------|
| Model No. | LED 36W |
| Diodes | Samsung |
| Color Temperature | 4393k |
| PPF | 63 $\mu\text{mol/s}$ |
| Efficacy | 1.74 $\mu\text{mol/J}$ |
| Input Voltage | 110V 120V 208V 240V 277V |
| Input Current | 0.33A 0.3A 0.17A 0.15A 0.13A |
| Frequency | 50/60 Hz |
| Input Power | 36W |
| Fixture Dimensions (L*W*H) | 126cm \times 3.2cm \times 4.2cm |
| Weight | 0.62 kg |
| Temperature Ambient | 95°F/35°C |
| Mounting Height | \geq 6" Above Canopy |
| Thermal Management | Passive |
| Lifetime | L90: $>$ 54,000hrs |
| Power Factor | \geq 0.90 |
| Waterproof Rate | IP66 |
| Warranty | 5-year warranty |
| Certification | CE |

SPECTRUM:



Powered by





1200W LED GROW LIGHTING

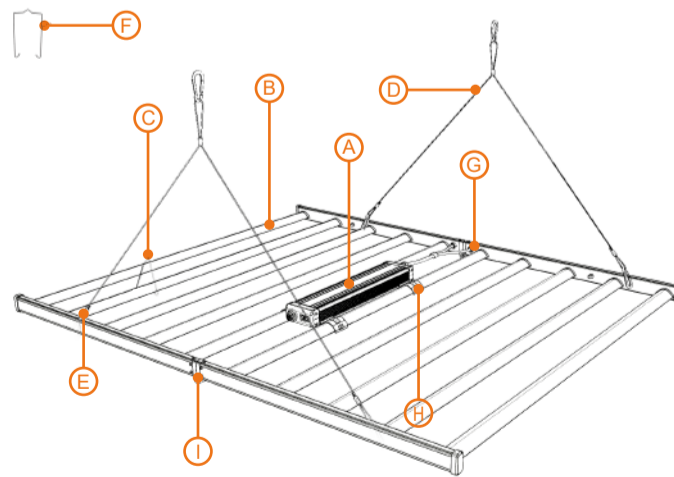
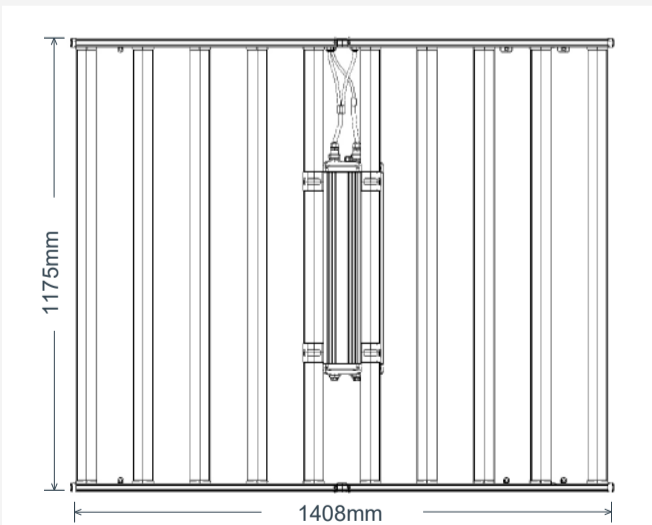
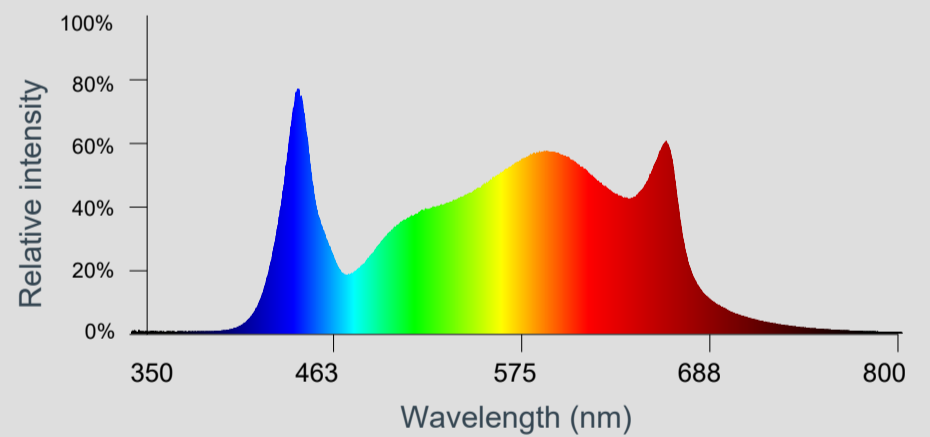
4x5FT 10 bars

TECHNICAL SPECIFICATIONS:

| | |
|----------------------------|--|
| Model No. | LED 1200W/ 10 bars |
| Light Source | Samsung / OSRAM |
| Spectrum | Full spectrum |
| PPF | 2976 $\mu\text{mol/s}$ |
| Efficacy | 2.48 $\mu\text{mol/J}$ |
| Input Voltage | 110V 120V 208V 240V 277V |
| Input Current | 10.9A 10A 5.8A 5A 4.3A |
| Frequency | 50/60 Hz |
| Input Power | 1200W |
| Fixture Dimensions (L*W*H) | 140.8cm×117.5cm×7.8cm |
| Weight | 18.60 kg |
| Temperature Ambient | 95°F/35°C |
| Mounting Height | ≥6" Above Canopy |
| Thermal Management | Passive |
| External Control Signal | 0-10V |
| Dimming Option | 50% / 60% / 80% / 100% / 120%super / EXT OFF |
| Light Distribution | 120° |
| Lifetime | L90:>54,000hrs |
| Power Factor | ≥0.97 |
| Waterproof Rate | IP66 |
| Warranty | 5-year warranty |
| Certification | ETL, CE |



SPECTRUM:



- Ⓐ LED drivers
- Ⓑ LED bars
- Ⓒ Solid Decking Mount
- Ⓓ Lance Hanger
- Ⓔ Ring Screw
- Ⓕ Waterfall Mount
- Ⓖ Input Power Cord
- Ⓗ Power Support
- Ⓘ Interconnect cable



Powered by





1200W LED GROW LIGHTING

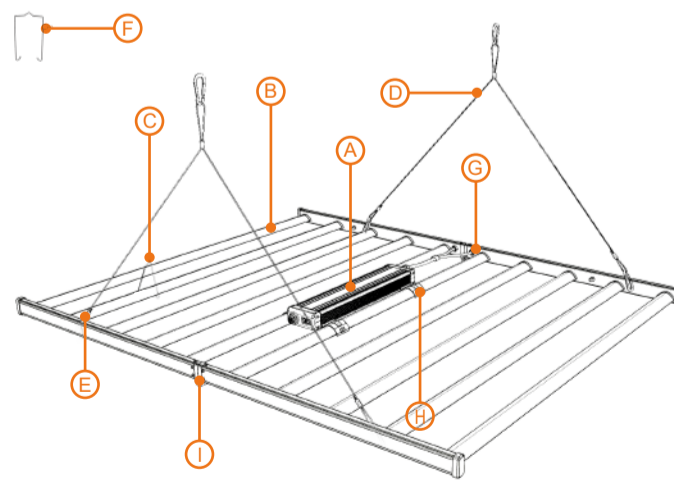
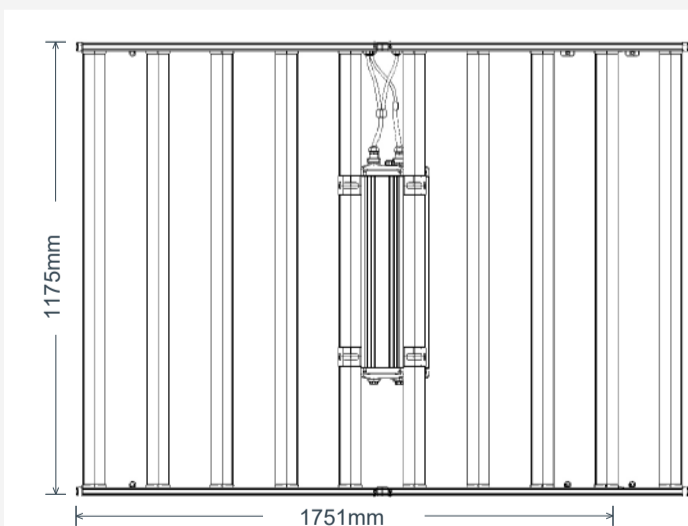
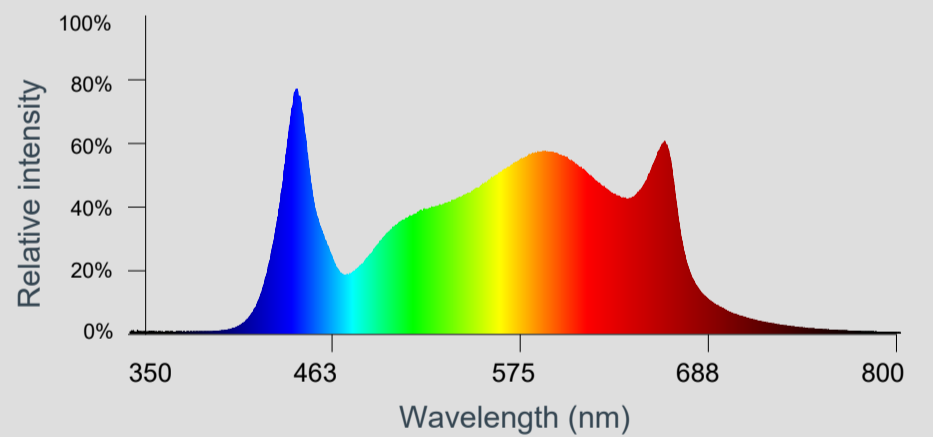
4x6FT 10 bars

TECHNICAL SPECIFICATIONS:

| | |
|----------------------------|--|
| Model No. | LED 1200W/ 10 bars |
| Light Source | Samsung / OSRAM |
| Spectrum | Full spectrum |
| PPF | 2976 $\mu\text{mol/s}$ |
| Efficacy | 2.48 $\mu\text{mol/J}$ |
| Input Voltage | 110V 120V 208V 240V 277V |
| Input Current | 10.9A 10A 5.8A 5A 4.3A |
| Frequency | 50/60 Hz |
| Input Power | 1200W |
| Fixture Dimensions (L*W*H) | 175.1cm×117.5cm×7.8cm |
| Weight | 19.20 kg |
| Temperature Ambient | 95°F/35°C |
| Mounting Height | ≥6" Above Canopy |
| Thermal Management | Passive |
| External Control Signal | 0-10V |
| Dimming Option | 50% / 60% / 80% / 100% / 120%super / EXT OFF |
| Light Distribution | 120° |
| Lifetime | L90:>54,000hrs |
| Power Factor | ≥0.97 |
| Waterproof Rate | IP66 |
| Warranty | 5-year warranty |
| Certification | ETL, CE |



SPECTRUM:



- (A) LED drivers
- (B) LED bars
- (C) Solid Decking Mount
- (D) Lance Hanger
- (E) Ring Screw
- (F) Waterfall Mount
- (G) Input Power Cord
- (H) Power Support
- (I) Interconnect cable



Powered by

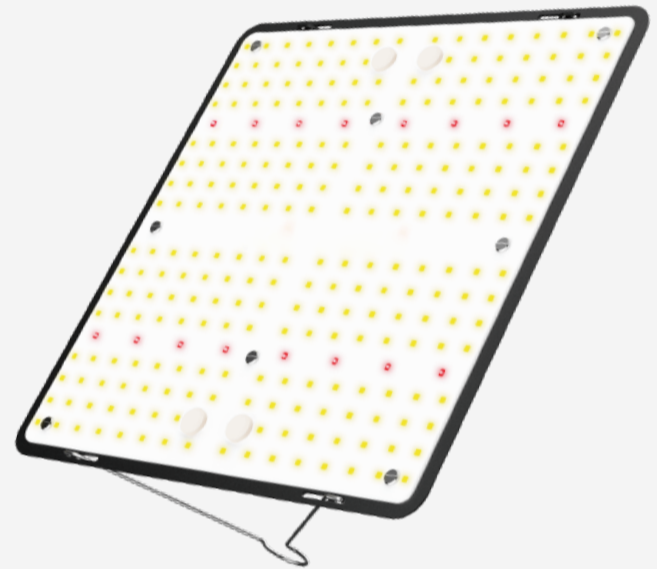




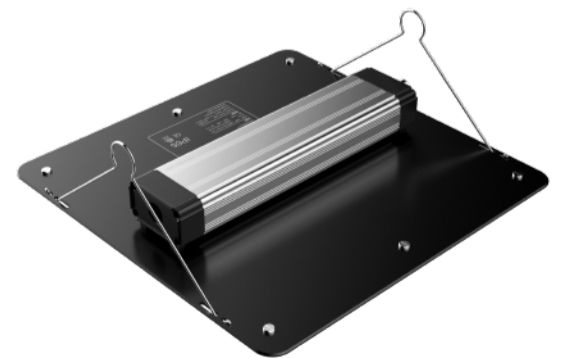
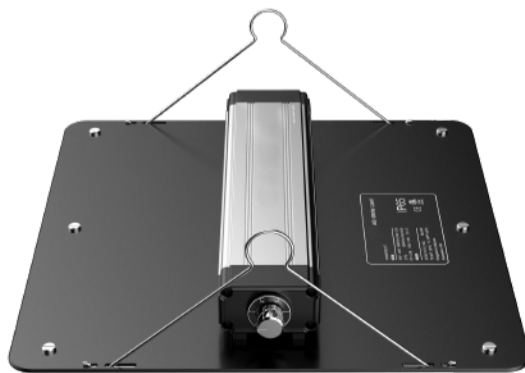
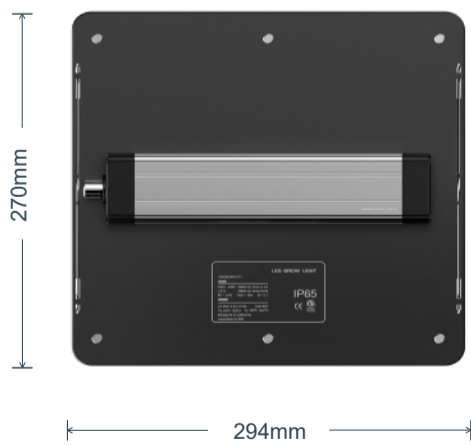
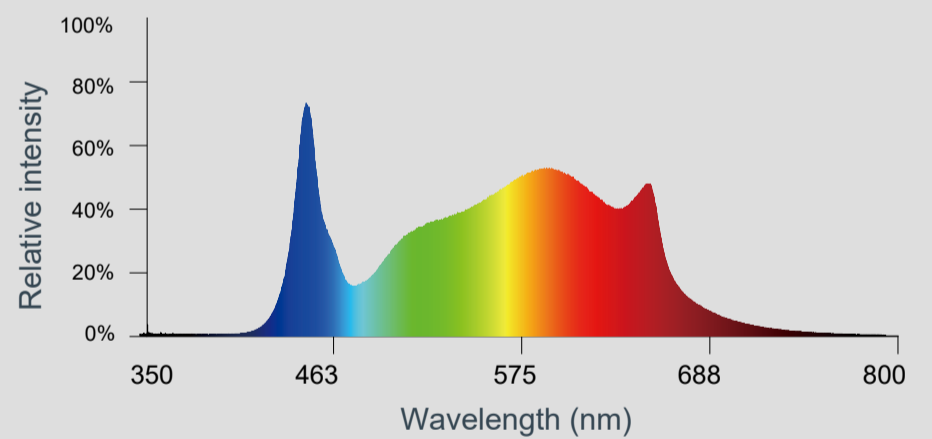
100W LED GROW LIGHTING

TECHNICAL SPECIFICATIONS:

| | |
|----------------------------|------------------------------|
| Model No. | LED 100W |
| Light Source | Samsung |
| Spectrum | Full spectrum |
| PPF | 230 $\mu\text{mol/s}$ |
| Efficacy | 2.3 $\mu\text{mol/J}$ |
| Input | 100V~277V |
| Frequency | 50~60 Hz |
| Input Power | 100W |
| Fixture Dimensions (L*W*H) | 29.4cm×27.0cm×9.5cm |
| Weight | 1.6kg |
| Dimming Option | 25% / 50% / 75% / 100% / OFF |
| Light Distribution | 120° |
| Lifetime | L90:>54,000hrs |
| Power Factor | ≥ 0.97 |
| Waterproof Rate | IP65 |
| Warranty | 3-year warranty |
| Certification | ETL, CE |



SPECTRUM:



Powered by

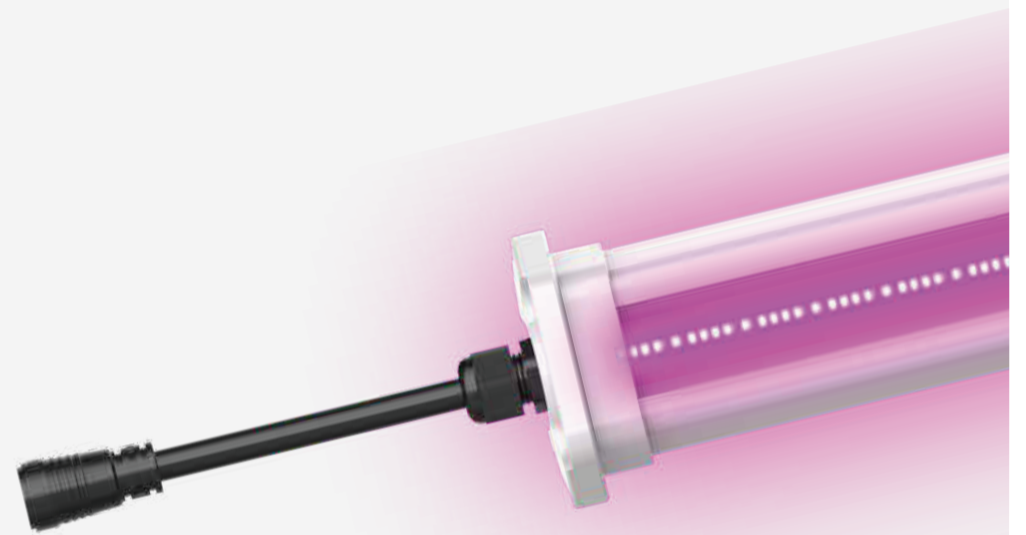


100W LED

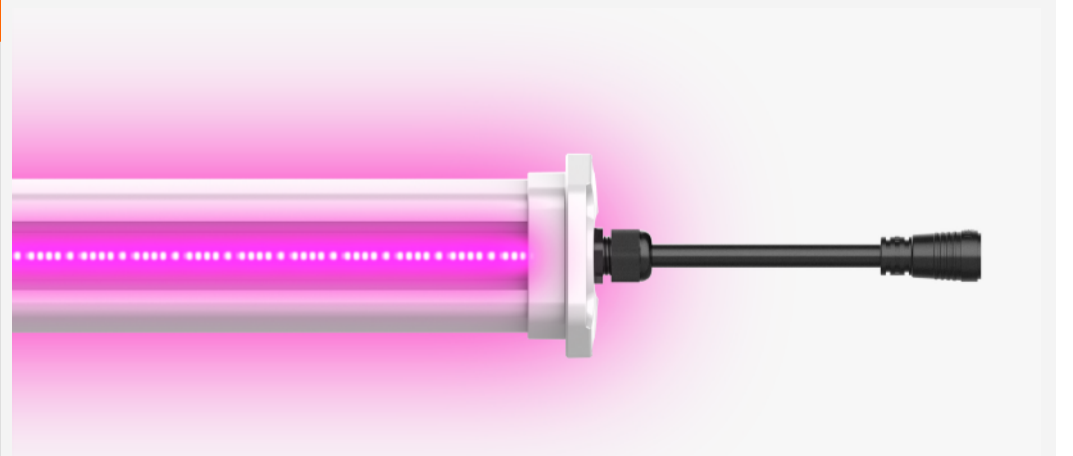
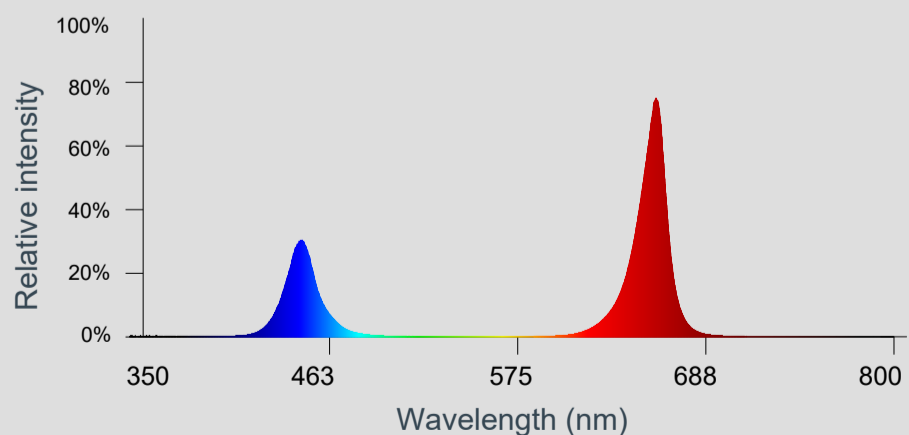
GreenPower LED interlighting

TECHNICAL SPECIFICATIONS:

| | | | | | | | |
|----------------------------|-------------------------------|-------|-------|-------|-------|-------|-------|
| Model No. | LED grow light between pearls | | | | | | |
| Light Source | Samsung / OSRAM | | | | | | |
| Spectrum | RED & BLUE | | | | | | |
| PPF | 317 $\mu\text{mol/s}$ | | | | | | |
| Efficacy | 3.17 $\mu\text{mol/J}$ | | | | | | |
| Input Voltage | 200V~400V | | | | | | |
| Input Current | MAX 0.48A | | | | | | |
| Input Voltage | 208V | 220V | 240V | 277V | 347V | 380V | 400V |
| Input Current | 0.48A | 0.46A | 0.42A | 0.36A | 0.29A | 0.26A | 0.25A |
| Frequency | 50/60 Hz | | | | | | |
| Input Power | 100W | | | | | | |
| Fixture Dimensions (L*W*H) | 250cm×6.47cm×8.6cm | | | | | | |
| Weight | 3.36 kg | | | | | | |
| Temperature Ambient | 0~40°C | | | | | | |
| Thermal Management | Passive | | | | | | |
| Light Distribution | RED:BLUE 3:1 | | | | | | |
| Lifetime | 54,000hrs | | | | | | |
| Power Factor | ≥ 0.97 | | | | | | |
| Waterproof Rate | IP66 | | | | | | |
| Warranty | 5-year warranty | | | | | | |
| Certification | ETL, CE | | | | | | |
| | 208V/220V/240V | | | | | 40PCS | |
| | 277 V | | | | | 50PCS | |
| | 347V | | | | | 60PCS | |
| | 380V/400V | | | | | 70PCS | |



SPECTRUM:



Powered by

OSRAM



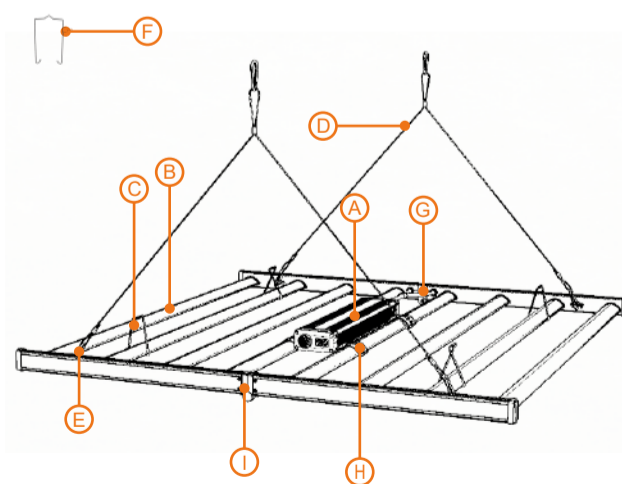
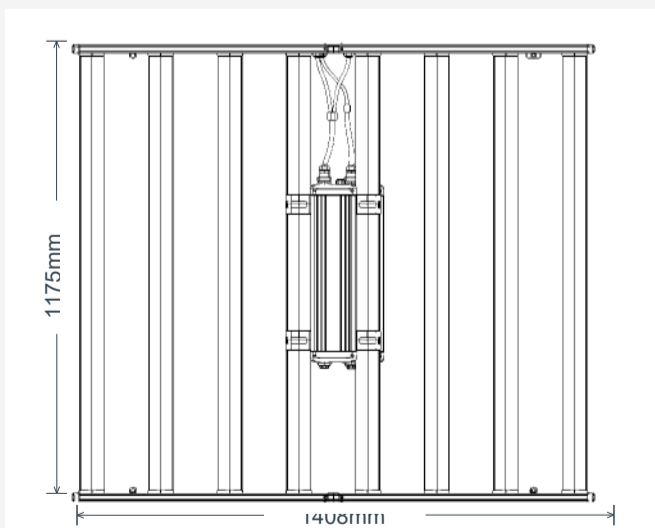
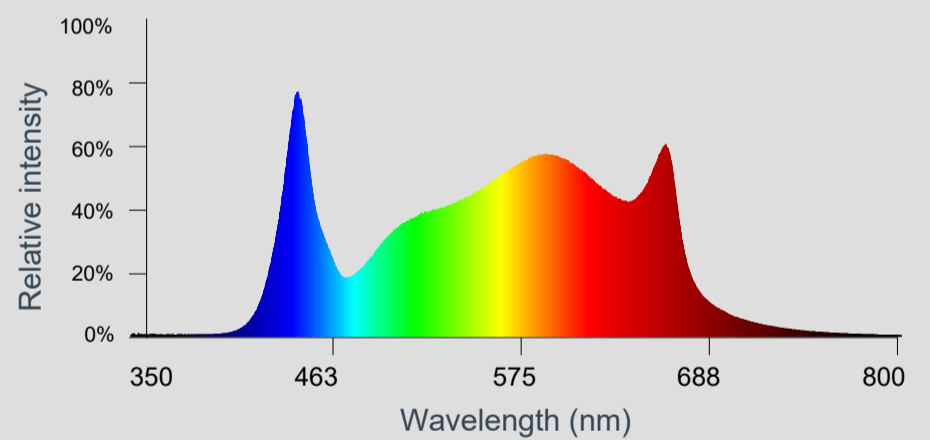


TECHNICAL SPECIFICATIONS:

| | |
|----------------------------|--|
| Model No. | LED 1000W/ 8 bars |
| Light Source | Samsung / OSRAM |
| Spectrum | Full spectrum |
| PPF | 2490 $\mu\text{mol/s}$ |
| Efficacy | 2.49 $\mu\text{mol/J}$ |
| Input Voltage | 208V 240V 277V |
| Input Current | 4.8A 4.1A 3.6A |
| Frequency | 50/60 Hz |
| Input Power | 1000W |
| Fixture Dimensions (L*W*H) | 140.8cm×117.5cm×7.8cm |
| Weight | 12.9 kg |
| Temperature Ambient | 95°F/35°C |
| Mounting Height | ≥6" Above Canopy |
| Thermal Management | Passive |
| External Control Signal | 0-10V |
| Dimming Option | 50% / 60% / 80% / 100% / super / EXT OFF |
| Light Distribution | 120° |
| Lifetime | L90:>54,000hrs |
| Power Factor | ≥0.97 |
| Waterproof Rate | IP66 |
| Warranty | 5-year warranty |
| Certification | ETL, CE |



SPECTRUM:



- (A) LED drivers
- (B) LED bars
- (C) Solid Decking Mount
- (D) Lance Hanger
- (E) Ring Screw
- (F) Waterfall Mount
- (G) Input Power Cord
- (H) Power Support
- (I) Interconnect cable



Powered by

OSRAM





1000W LED GROW LIGHTING

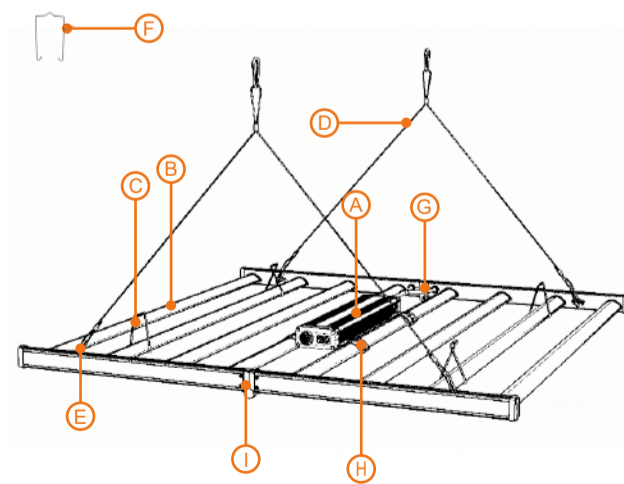
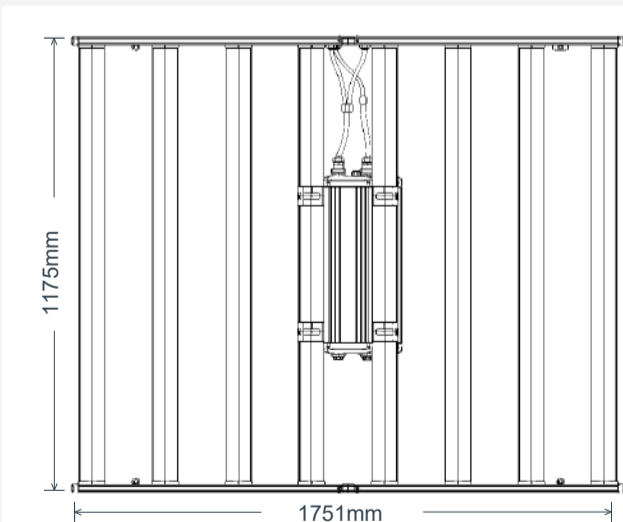
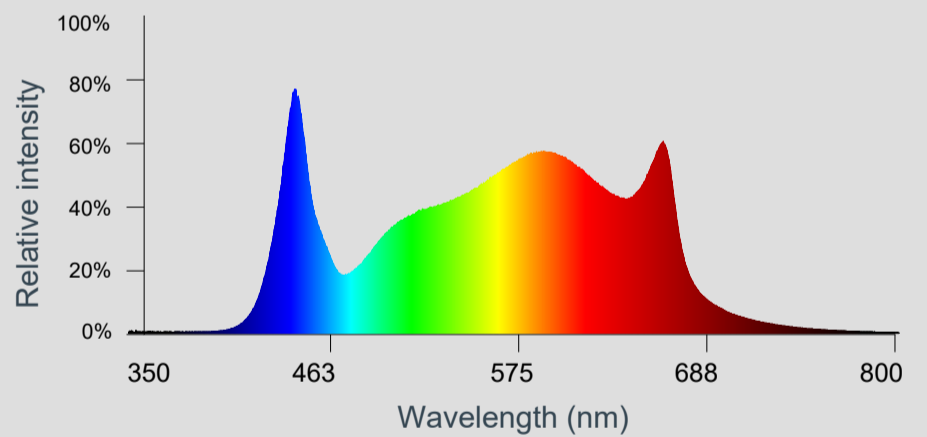
4x6FT 8 bars

TECHNICAL SPECIFICATIONS:

| | |
|----------------------------|--|
| Model No. | LED 1000W/ 8 bars |
| Light Source | Samsung / OSRAM |
| Spectrum | Full spectrum |
| PPF | 2490 $\mu\text{mol/s}$ |
| Efficacy | 2.49 $\mu\text{mol/J}$ |
| Input Voltage | 208V 240V 277V |
| Input Current | 4.8A 4.1A 3.6A |
| Frequency | 50/60 Hz |
| Input Power | 1000W |
| Fixture Dimensions (L*W*H) | 175.1cm×117.5cm×7.8cm |
| Weight | 13.4 kg |
| Temperature Ambient | 95°F/35°C |
| Mounting Height | ≥6" Above Canopy |
| Thermal Management | Passive |
| External Control Signal | 0-10V |
| Dimming Option | 50% / 60% / 80% / 100% / super / EXT OFF |
| Light Distribution | 120° |
| Lifetime | L90:>54,000hrs |
| Power Factor | ≥0.97 |
| Waterproof Rate | IP66 |
| Warranty | 5-year warranty |
| Certification | ETL, CE |



SPECTRUM:



- Ⓐ LED drivers
- Ⓑ LED bars
- Ⓒ Solid Decking Mount
- Ⓓ Lance Hanger
- Ⓔ Ring Screw
- Ⓕ Waterfall Mount
- Ⓖ Input Power Cord
- Ⓗ Power Support
- Ⓘ Interconnect cable



Powered by



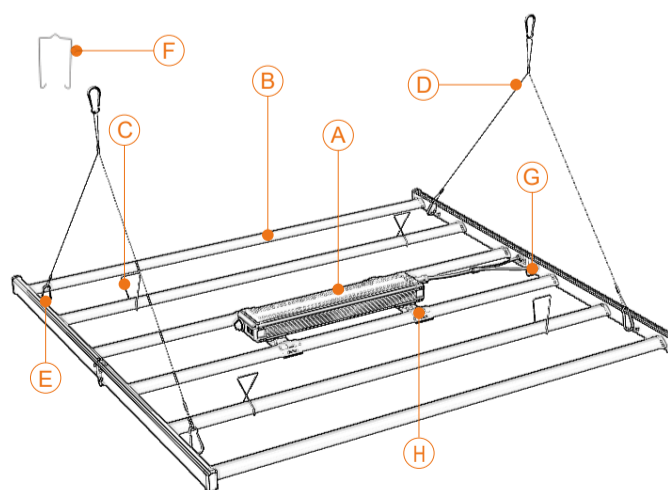
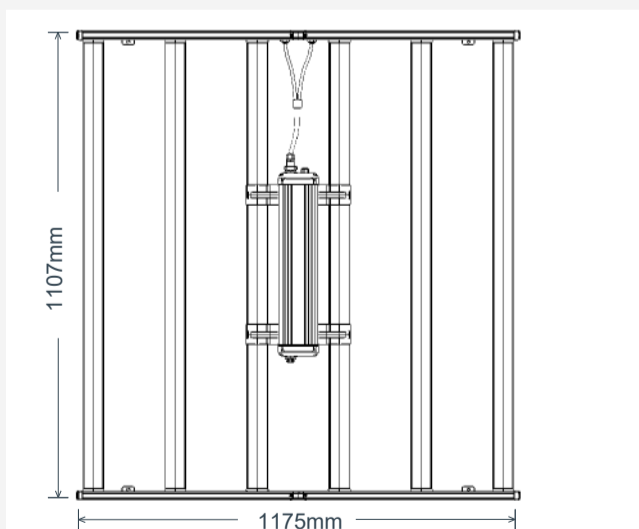
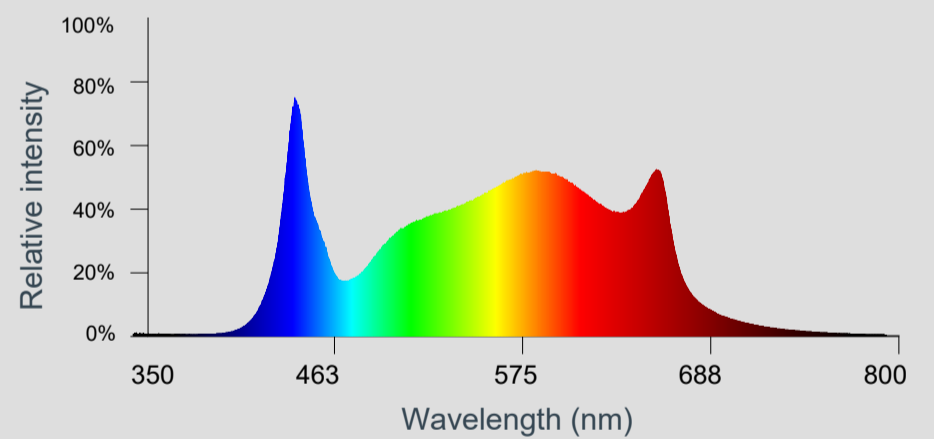


TECHNICAL SPECIFICATIONS:

| | |
|----------------------------|--|
| Model No. | LED 650W/ 6 bars |
| Light Source | Samsung / OSRAM |
| Spectrum | Full spectrum |
| PPF | 1677 $\mu\text{mol/s}$ |
| Efficacy | 2.58 $\mu\text{mol/J}$ |
| Input Voltage | 120V 208V 220V 240V 277V |
| Input Current | 5.41A 3.12A 2.95A 2.7A 2.34A |
| Frequency | 50/60 Hz |
| Input Power | 650W |
| Fixture Dimensions (L*W*H) | 117.5cm×110.7cm×7.7cm |
| Weight | 10.76 kg |
| Temperature Ambient | 95°F/35°C |
| Mounting Height | ≥6" Above Canopy |
| Thermal Management | Passive |
| External Control Signal | 0-10V |
| Dimming Option | 40% / 50% / 60% / 80% / 100% / EXT OFF |
| Light Distribution | 120° |
| Lifetime | L90:>54,000hrs |
| Power Factor | ≥0.97 |
| Waterproof Rate | IP66 |
| Warranty | 5-year warranty |
| Certification | ETL, CE |



SPECTRUM:



- (A) LED drivers
- (B) LED bars
- (C) Solid Decking Mount
- (D) Lance Hanger
- (E) Ring Screw
- (F) Waterfall Mount
- (G) Input Power Cord
- (H) Power Support



Powered by

OSRAM





650W LED GROW LIGHTING

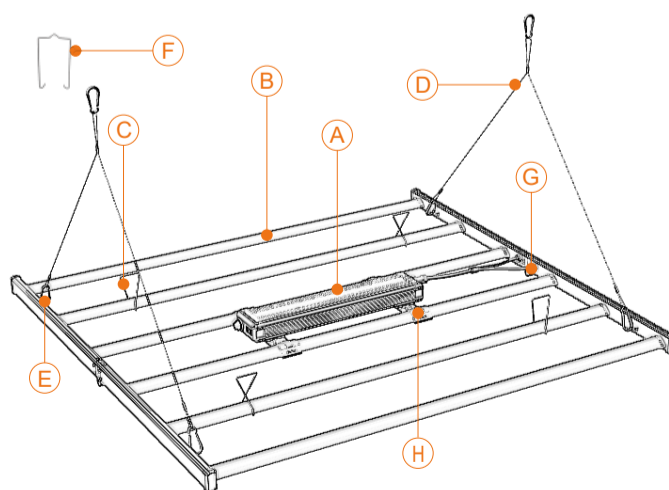
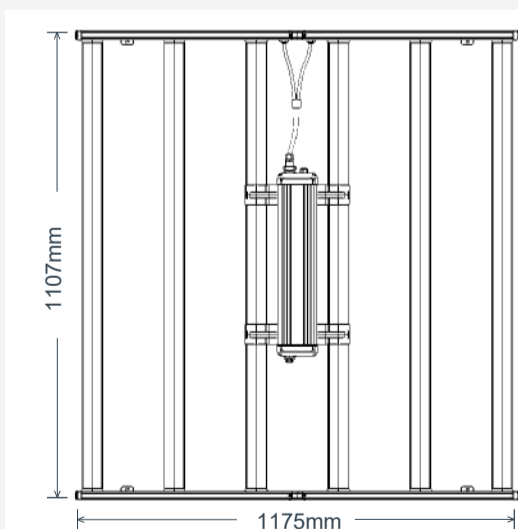
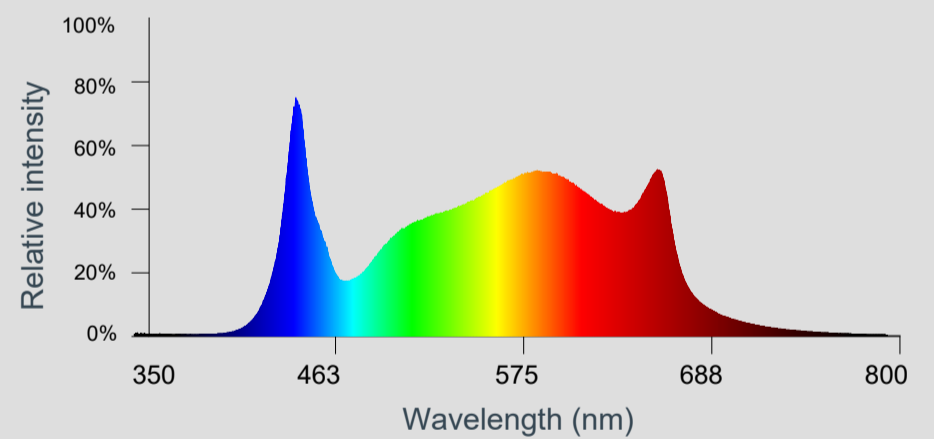
6 bars

TECHNICAL SPECIFICATIONS:

| | |
|----------------------------|--|
| Model No. | LED 650W/ 6 bars |
| Light Source | Samsung / OSRAM |
| Spectrum | Full spectrum |
| PPF | 1638 $\mu\text{mol/s}$ |
| Efficacy | 2.52 $\mu\text{mol/J}$ |
| Input Voltage | 120V 208V 220V 240V 277V |
| Input Current | 5.41A 3.12A 2.95A 2.7A 2.34A |
| Frequency | 50/60 Hz |
| Input Power | 650W |
| Fixture Dimensions (L*W*H) | 117.5cm×110.7cm×7.7cm |
| Weight | 10.76 kg |
| Temperature Ambient | 95°F/35°C |
| Mounting Height | ≥6" Above Canopy |
| Thermal Management | Passive |
| External Control Signal | 0-10V |
| Dimming Option | 40% / 50% / 60% / 80% / 100% / EXT OFF |
| Light Distribution | 120° |
| Lifetime | L90:>54,000hrs |
| Power Factor | ≥90% |
| Waterproof Rate | IP66 |
| Warranty | 5-year warranty |
| Certification | ETL, CE |



SPECTRUM:



- (A) LED drivers
- (B) LED bars
- (C) Solid Decking Mount
- (D) Lance Hanger
- (E) Ring Screw
- (F) Waterfall Mount
- (G) Input Power Cord
- (H) Power Support



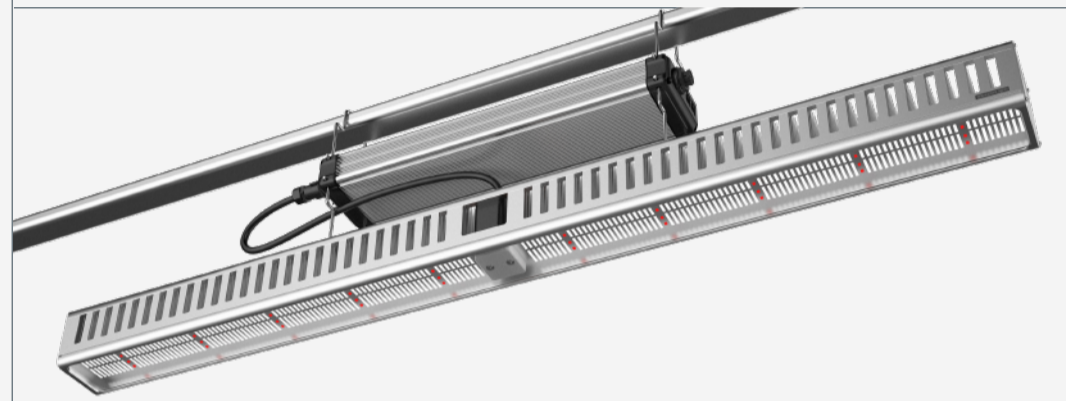
Powered by **OSRAM** **SAMSUNG**



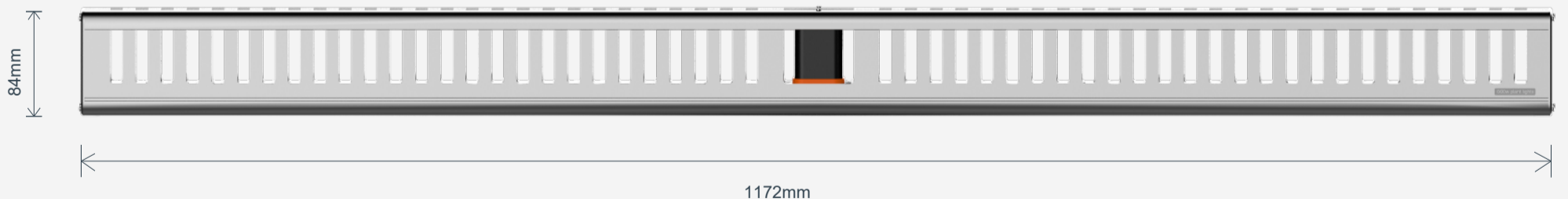
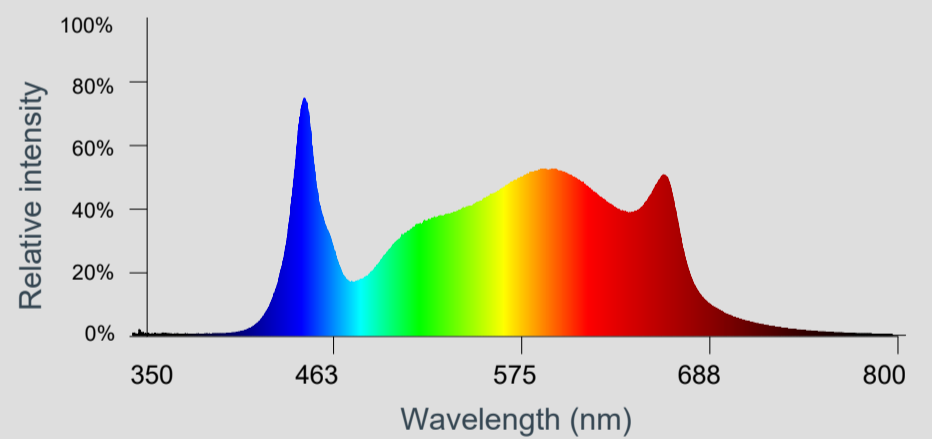
600W LED GROW LIGHTING

TECHNICAL SPECIFICATIONS:

| | |
|----------------------------|--|
| Model No. | LED 600W |
| Light Source | Samsung / OSRAM |
| Spectrum | Full spectrum |
| PPF | 1560 $\mu\text{mol/s}$ |
| Efficacy | 2.6 $\mu\text{mol/J}$ |
| Input Voltage | 110V 120V 208V 240V 277V 347V 400V |
| Input Current | 5.5A 5.0A 2.9A 2.5A 2.2A 1.7A 1.5A |
| Frequency | 50/60 Hz |
| Input Power | 600W |
| Fixture Dimensions (L*W*H) | 117.2cm×8.4cm×8.4cm |
| Weight | 9.8 kg |
| Temperature Ambient | 95°F/35°C |
| Mounting Height | ≥6" Above Canopy |
| Thermal Management | Passive |
| External Control Signal | 0-10V |
| Dimming Option | 40% / 50% / 60% / 80% / 100% / EXT OFF |
| Light Distribution | 120° |
| Lifetime | L90:>54,000hrs |
| Power Factor | ≥0.97 |
| Waterproof Rate | IP65 |
| Warranty | 5-year warranty |
| Certification | ETL, CE |



SPECTRUM:



Powered by

OSRAM

